

# EF 206 *XSafe*

## Self Contained Ice Machine 200 kg

|           |
|-----------|
| Item #:   |
| Project:  |
| Quantity: |



### FEATURES

- Produces granular shape ice flakes, 80% hardness. Ice scoop holder safely positioned in ice-storage bin.
- Resistant stainless steel exterior.
- Advanced diagnostics computerized control.
- Front panel in & out airflow (air-cooled model only) for built-in installation.
- Front access condenser air filter, removable and washable (air cooled version only). Easy, front panel access to technical / service area of the machine.
- Easily accessible, front panel mount, ON-OFF Switch.
- Ergonomically designed ice storage access, with disappearing door. Door-closing movement dampening system.
- PWD - Progressive Water Discharge: pumps excess residual water up to a distance of 15 meters.
- XSafe: natural sanitation system, integrated inside the ice maker and operating automatically 24/7 to keep equipment clean & safe.



EF 206  
Flake ice  
Residual water content 25%

### CONDENSING SYSTEM

Air cooled  
Water cooled

### REFRIGERANT GAS

R134a

### VOLTAGE V/Hz/ph

230/50/1

### INTERNAL BIN CAPACITY

60 kg

### CERTIFICATIONS



### OPERATING REQUIREMENTS

|                    | Minimum        | Maximum        |
|--------------------|----------------|----------------|
| Air temperature    | 10             | 43             |
| Water temperature  | 5              | 38             |
| Water pressure     | 1 bar (14 psi) | 5 bar (70 psi) |
| Electrical voltage | -10%           | +10%           |

**IMPORTANT NOTICE:**  
Models and specifications are subject to change without notice.  
This spec sheet is meant for commercial purpose only.  
For technical documentation please refer to our service manuals.

[www.scotsman-ice.it](http://www.scotsman-ice.it)  
[www.scotsman-ice.com](http://www.scotsman-ice.com)

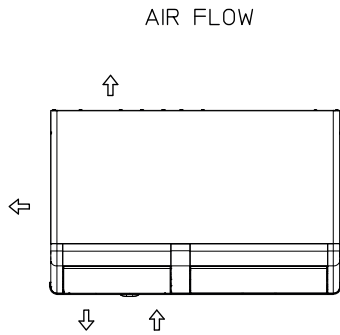
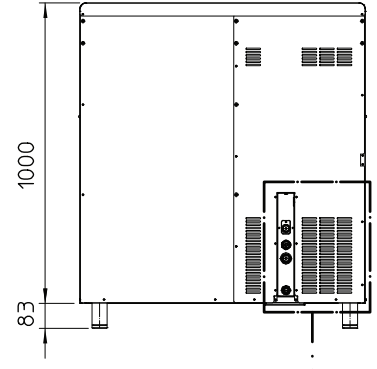
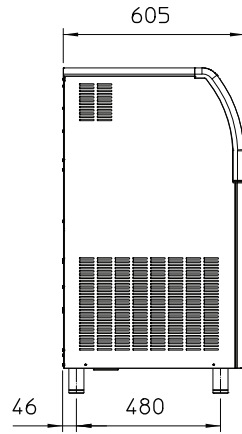
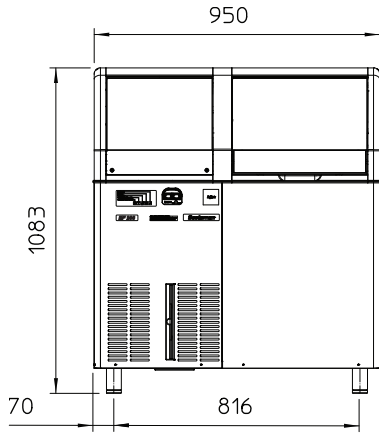
Self Contained Ice Machine 200 kg

# EF 206 *XSafe*

## Self Contained Ice Machine 200 kg

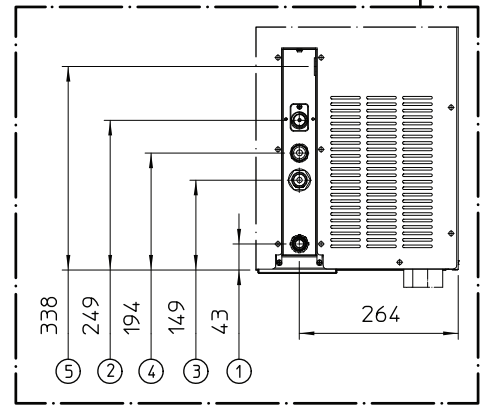
|           |
|-----------|
| Item #:   |
| Project:  |
| Quantity: |

Self Contained Ice Machine 200 kg



UNIT OF MEASUREMENT: mm

1. 25/32" - OVERFLOW DRAIN
2. 3/4" GAS - WATER INLET
3. 3/4" GAS - WATER OUTLET  
WATER COOLED UNIT ONLY
4. 3/4" GAS - WATER INLET  
WATER COOLED UNIT ONLY
5. CORD SET



| UNIT DATA        |                     | SHIPPING DATA                                |                      |                 |                        |             |                 |               |            |               |                |
|------------------|---------------------|--|----------------------|-----------------|------------------------|-------------|-----------------|---------------|------------|---------------|----------------|
| Size (W x D x H) | 950 x 605 x 1083 mm | Carton (W x D x H)                           | 1030 x 680 x 1170 mm |                 |                        |             |                 |               |            |               |                |
| Net weight       | 79 kg               | Weight                                       | 92 kg                |                 |                        |             |                 |               |            |               |                |
|                  |                     | 24 h ice production kg<br>°C Amb. / °C Water |                      |                 | Energy consumption (*) |             | Water usage (*) | Instant power | Compressor | Circuit wires | Max. fuse size |
| Version          | Voltage             | 10°C/10°C<br>kg                              | 21°C/10°C<br>kg      | 32°C/21°C<br>kg | kWh/<br>100 kg         | kWh/<br>24h | l/h             | W             | W          | No. x Ømm²    | A              |
| EF 206 AS        | 230/50/1            | 200  | 195                  | 155             | 13.2                   | 20.5        | 7.0             | 950           | 3400       | 3 x 1.5       | 10             |
| EF 206 WS        | 230/50/1            | 205  | 200                  | 178             | 10.7                   | 19.0        | 68.0            | 800           | 3400       | 3 x 1.5       | 10             |

(\*) Data refer to 32°C Amb. / 21°C Water temperature conditions