

MAR 206

Modular Ice Machine 1650 kg

Item #:
Project:
Quantity:



FEATURES

- Scale ice machine, in "compact system" version; built-in unit. Storage bin not supplied, to be purchased separately.
- AISI304 Stainless steel evaporator and ice scraper blade. Redesigned evaporator compartment end-walls.
- Electromechanical control panel.
- Electrical protections, rotation speed & reverse phase controls.
- Low- water sensor protection. Semi-hermetic compressor. Storage bin thermostatic ice level sensor.
- Drive motor / gear reducer with V-Belt drive.
- Stainless steel panels in scotch-brite finish, with rounded corners, easy to remove for maintenance.
- ON/OFF manual switch, with weekly programmable timer.



MAR 206
Scale ice
Residual water content 2%
Thickness 2 mm

CONDENSING SYSTEM

Air cooled
Water cooled

REFRIGERANT GAS

R404A
R452A

VOLTAGE V/Hz/ph

400/50/3N

RECOMMENDED BINS

Head	Bins	kg
MAR 206	● UBH1600	812
	● UBH2250	1068
	● SIS1350	613 + 73 + 73

LEGEND:

- ✓ : Perfect combination between ice maker and bin
- : Ice chute cut-out performed upon installation
- CBTxxxxxxxx : need additional bin top

CERTIFICATIONS



OPERATING REQUIREMENTS

	Minimum	Maximum
Air temperature	10	43
Water temperature	5	38
Water pressure	1 bar (14 psi)	5 bar (70 psi)
Electrical voltage	-10%	+10%

IMPORTANT NOTICE:
Models and specifications are subject to change without notice.
This spec sheet is meant for commercial purpose only.
For technical documentation please refer to our service manuals.

Download our free **App Scotsman Ice**
Apple store
Google play
Windows store



www.scotsman-ice.it
www.scotsman-ice.com

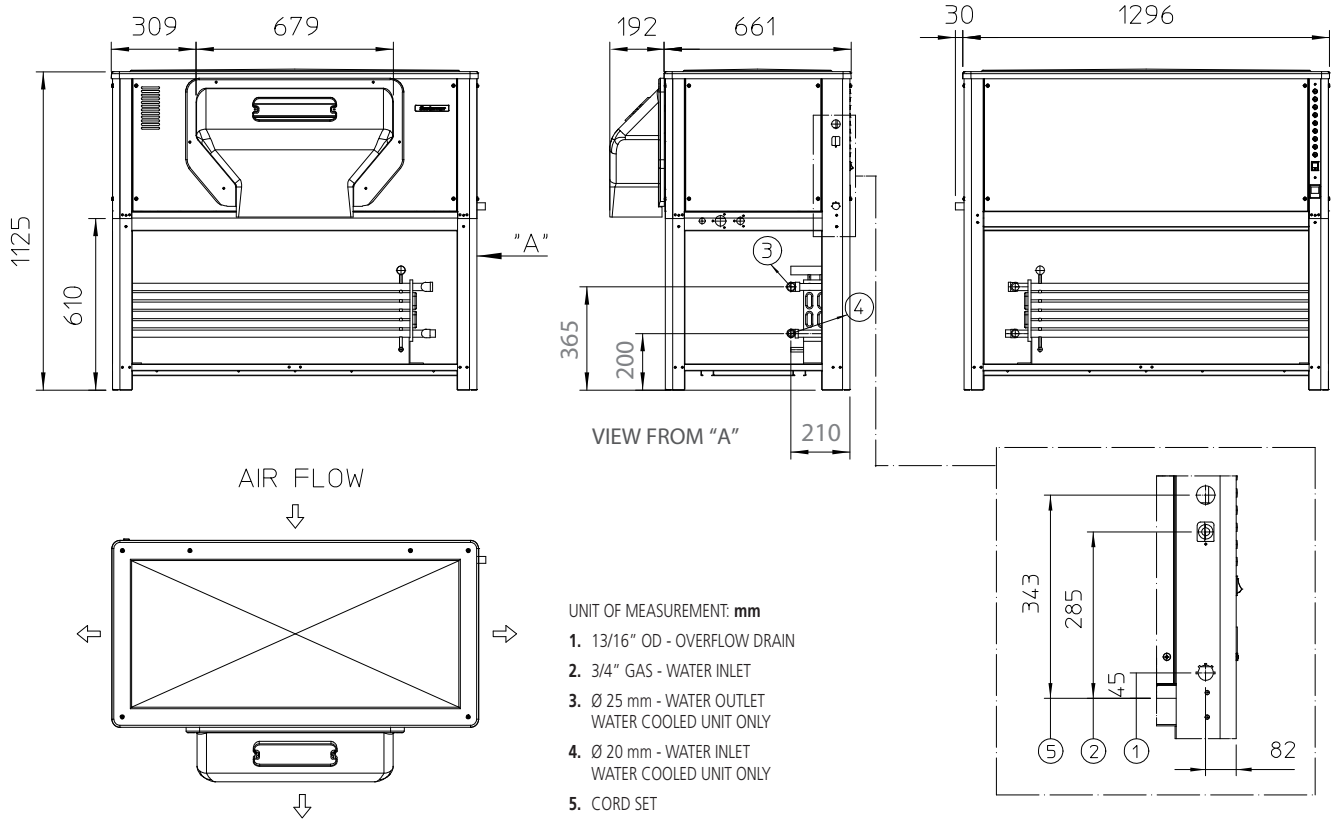
Modular Ice Machine 1650 kg

MAR 206

Modular Ice Machine 1650 kg

Item #:
Project:
Quantity:

Modular Ice Machine 1650 kg



UNIT DATA		SHIPPING DATA									
Size (W x D x H)	1326 x 853 x 1125 mm	Carton (W x D x H)	1410 x 790 x 1250 mm								
Net weight	330 kg	Weight	353 kg								
		24 h ice production kg °C Amb. / °C Water			Energy consumption (*)		Water usage (*)	Instant power	Compressor	Circuit wires	Max. fuse size
Version	Voltage	10°C/10°C	21°C/10°C	32°C/21°C	kWh/ 100 kg	kWh/ 24h	l/h	W	W	No. x Ømm²	A
MAR 206 AS	400/50/3N	1570	1540	1300	10.8	140.0	54.2	5400	7000	5 x 2.5	25
MAR 206 WS	400/50/3N	1650	1580	1300	10.8	140.0	416.7	5400	7000	5 x 2.5	25
Compressor:	(Te -25.0°C; Tc +45.0°C)										
(*) Data refer to 32°C Amb. / 21°C Water temperature conditions											