

SB 393

Storage bin 181 kg

| |
|-----------|
| Item #: |
| Project: |
| Quantity: |



FEATURES:

- Slope front ice storage bin, for Gourmet & Dice Cubes, Flake, Superflake, Nugget, Cubelet ice.
- New sleek, contemporary styling.
- Convenient and hygienic internal ice scoop holder.
- Exterior panels in durable stainless steel.
- Polyurethane Insulation.
- High density, non-corroding Polyethylene bin liner, designed with easy-to-clean rounded corners, resistant to scratches and scuffs from ice scoops.
- Robust door frame will resist operational abuse.
- Rounded door-lip profile allows an easy reach for enhanced ease of operation.

UNIT DATA

Size (W x D x H) 768 x 843 x 1045 mm

Net weight 43 kg

SHIPPING DATA

Carton (W x D x H) 822 x 885 x 1050 mm

Weight 56 kg

| Bin | Compatibility | Ice Machine |
|--------|---------------|----------------------------|
| SB 393 | ✓ | MXG 437-438-638-938 |
| | CBT30/52AMCD | C 322-522-722 |
| | ✓ | C 530-630-830-1030 |
| | CBT30EMCD | MV 306-426-430 |
| | ✓ | MV 456-460-606-806-1006 |
| | CBT30EMCD | NW 307-308-507-508 |
| | ✓ | NW 457-458-608-1008 |
| | CBT30EFSD | N 622-922 |
| | CBT30EFSD | MFN 46-47-56 |
| | CBT30EFSD | MF 26-36-46-47-56-57-58-59 |

LEGEND:

- ✓ : Perfect combination between ice maker and bin
- : Ice chute cut-out performed upon installation
- CBTxxxxxxxx : need additional bin top

CERTIFICATIONS:



IMPORTANT NOTICE:

Models and specifications are subject to change without notice. This spec sheet is meant for commercial purpose only. For technical documentation please refer to our service manuals.

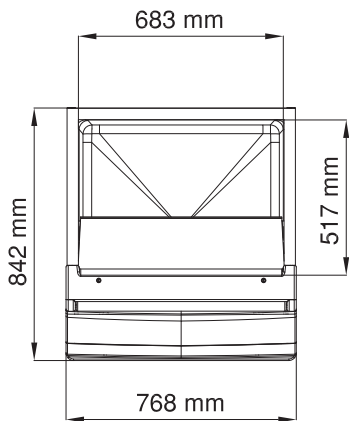
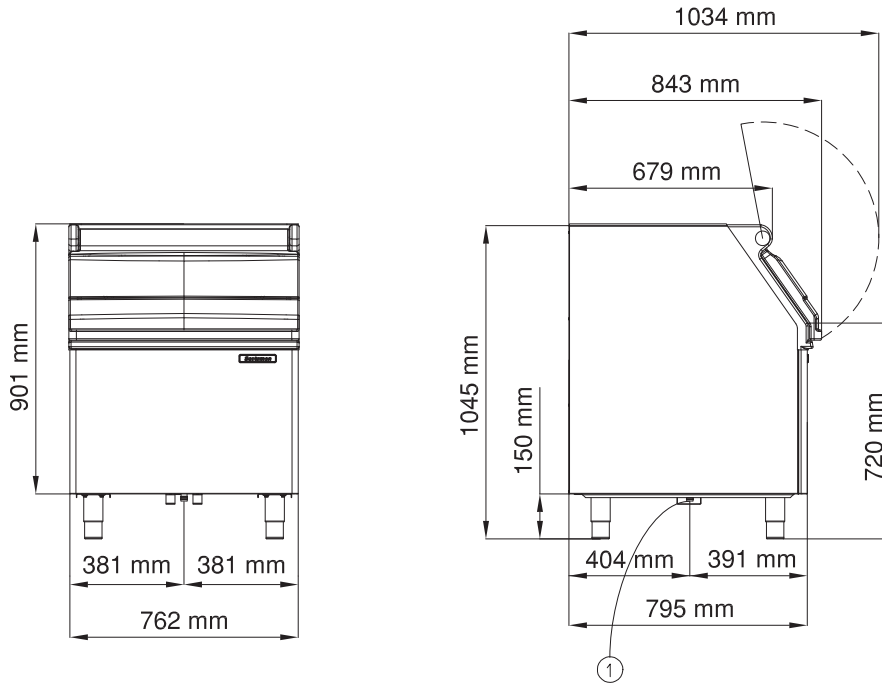
www.scotsman-ice.it
www.scotsman-ice.com

Storage bin 181 kg

SB 393

Storage bin 181 kg

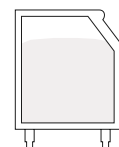
| |
|-----------|
| Item #: |
| Project: |
| Quantity: |



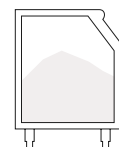
1) Drain Ø 20 mm

Storage bin 181 kg

| Ice capacity (application)* | Ice capacity (AHRI)** | Internal volume |
|-----------------------------|-----------------------|-----------------|
| kg | kg | m ³ |
| 181 | 141 | 0.368 |



(* Application capacity is calculated on 90% of total volume x 545 kg/m³



(**) AHRI capacity is calculated on 80% of total volume x 481 kg/m³