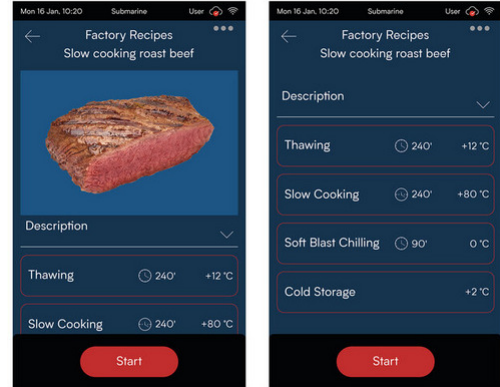


Freedom to create

Positive and negative blast chilling, thawing, proofing and retarder-proofer, pasteurization, slow cooking, maintaining the temperature, drying...are just some of the functions that can be managed immediately and precisely, individually or by connecting them in a single flow.



Model: SBM-061-HA

6 TRAYS

6 x 1/1 GN - 6 x (600 x 400)

SUBMARINE MULTIFUNCTION, CABINET - 6 X GN 1/1 - 6 X EN1. +85 / -40 °C - AIR CONDENSING UNIT

+3°C	-40°C / -18°C	-5°C / -40°C	-2°C / +18°C	-18°C / -21°C	+10°C / +16°C	+35°C / +65°C	-18°C / +32°C	+60°C / +85°C	+10°C / +32°C
Soft or hard blast chilling	Anisakis Killer	Continuous cycle	Storage	Negative Storage	Crystallisation	Dehydration	Retarder - Proofer	Slow Cooking	Proofing
+50°C / +85°C	+60°C / +85°C	+30°C / +55°C	-18°C / +3°C	-18°C	-40°C / -18°C	+38°C / +50°C			
Maintaining	Pasteurisation	Melting Chocolate	Thawing	Soft or hard freezing	Tapeworm Killer	Yogurt	Wifi Connection	Friulinox Cold Cloud	

STRUCTURAL CHARACTERISTICS

- 0.8 mm-thick stainless steel external sides and door (Scotch-Brite satin finish).
- 1 mm-thick stainless steel top (Scotch-Brite satin finish).
- Stainless steel internal coating with fully rounded corners • Die-moulded and leakproof internal base.
- Anti-condensation heating element located on the box under the magnetic seal stop.
- Strongbox ergonomic handle.
- 0.8 mm-thick stainless steel door (Scotch-Brite satin finish).
- HCFC-free high-density polyurethane foam insulation (approx. 42 kg/m³).
- Magnetic seal on 4 sides of the door.
- Stainless steel exterior (Scotch-Brite satin finish).
- Indirect-flow electric fans - made of composite material - on the product.
- Patented chamber humidity-injecting system.
- Cooling capacity expressed at evaporation temperature -25 °C and condensation temperature at + 45 °C

EQUIPPED INTERIOR

- Quick-release heated core probe with 4 measuring points.
- Side guide-supporting uprights with 18 mm-pitch holes.

COMMANDS, CONTROLS AND SAFETY DEVICES

- 7" high-definition FULL TOUCH display.
- Control-activated chamber sanitisation system with active ions (HI-GIENE).
- Compressor-protecting automatic-reset thermal circuit breaker.
- Photo-identifiable processes.
- USB connection for uploading and downloading data/recipes.
- Standard connectivity.

VERSIONING

- Also available in a wheeled version.
- Also available with a left-hinged door

REFRIGERANT GROUP

- Hermetic compressor (semi-hermetic for the 122 models). • R452A eco-friendly refrigerant fluid.
- Copper condensing coil with high thermal efficiency aluminium fins.
- Non-powered defrosting and condensed water evaporation device.
- Copper-aluminium evaporating coil, cataphoresis-painted with non-toxic epoxy resin.

DIMENSIONS

Width	mm	790
Depth	mm	820
Height	mm	900
Door Span Width	mm	670
Internal Depth	mm	435
Package width	mm	830
Package depth	mm	920
Package height	mm	1050
Package volume	m ³	12,04
Weight	Kg	110
Package weight	Kg	150

TECHNICAL DATA

Working temperature	°C	+85 / -40 °C
Motor		Air condensing unit
PU insulation - Thickness	mm	60

CAPACITY

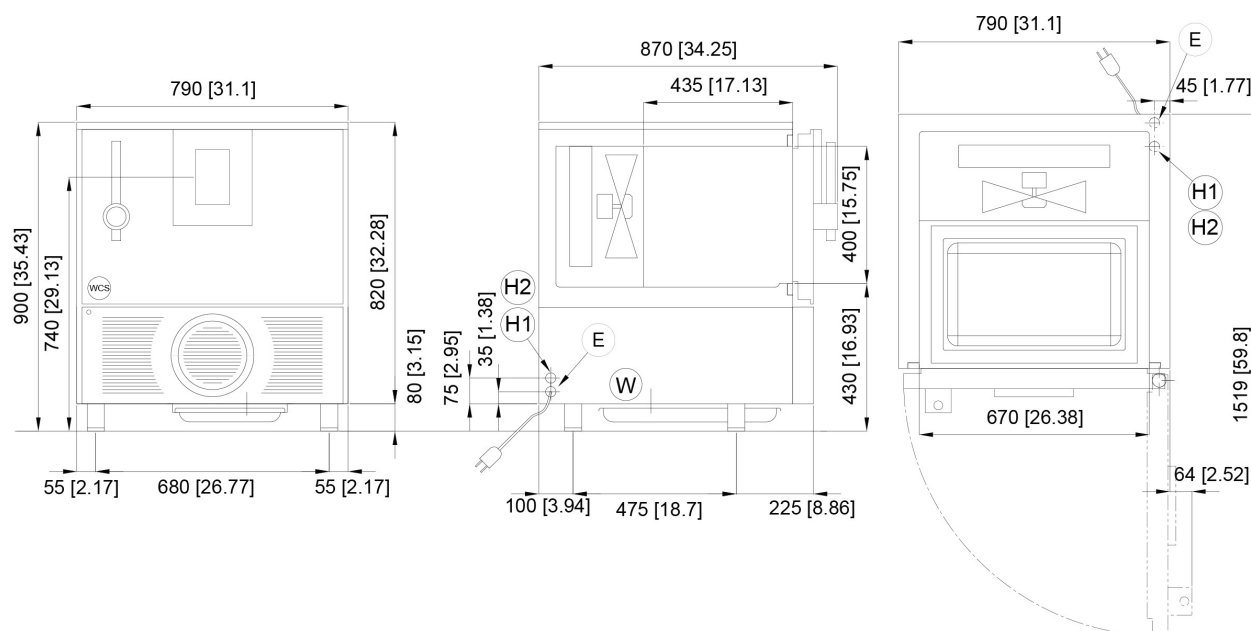
N° Trays - h 20	N.	10
N° Trays - h 40	N.	6
N° Trays - h 65	N.	5
Distance between layers - h 20	mm	35
Distance between layers - h 40	mm	52.5
Distance between layers - h 65	mm	70
Minimum distance between layers	mm	17.5

POWER SUPPLY

Power supply voltage	V	230
Total electric power	kW	2,291
Consumption	A	12,04
Frequency	Hz	50
Cooling power	W	1127
Refrigerant - Type		R452a

YIELDS AND PERFORMANCE

Yield per cycle +90/+3°C	kg	35
Yield per cycle +90/-18°C	kg	25
Yield per BC cycle according to standard EN17032 (+65/+10°C)	kg	30
Yield per BF cycle according to standard EN17032 (+65/-18°C)	kg	20
BC consumed energy according to standard EN17032	kW h / kg	0.068
BF consumed energy according to standard EN17032	kW h / kg	0.238
BC blast chilling consumption according to standard EN17032	kWh/Ciclo	2.04
BF blast chilling consumption according to standard EN17032	kWh/Ciclo	4.75



DIMENSIONI mm
DIMENSIONS [in]

- E CONNESSIONE ELETTRICA
ELECTRICAL CONNECTION
- W CONNESSIONE SCARICO OPZIONALE
OPTIONAL DRAIN CONNECTION
- H1 CONNESSIONE INGRESSO H2O 1/2"
INLET WATER CONNECTION 1/2"
- H2 CONNESSIONE USCITA H2O 1/2"
EXHAUST WATER CONNECTION 1/2"
- WCS CONNESSIONE OPZIONALE PER DOCCETTA ESTERNA
CONNECTION OPTIONAL FOR HAND SHOWER