

JOKER

with MT control and fresh steam system

6-23, 6-43, 6-11



HIGHLIGHTS

- **MODULARITY**
Configuration options based on actual requirements
- **CAPACITY**
Maximum use of space with minimum external dimensions, with a cavity 44 cm wide and 40 cm high
- **FLEXIBILITY**
Selectable control position, based on available space
- **DESIGN MODULE**
Form follows function.
Clean lines, clear touch screen, simple operation

JOKER with MT control and fresh steam system - 6-23, 6-43, 6-11

Device data

	Type	6-23	6-43	6-11
Material		1.4301	1.4301	1.4301
Design module		according to DIN 18866	according to DIN 18866	according to DIN 18866
Protection class		IPX5	IPX5	IPX5
Device dimensions				
Control on top, stop on the left / right (WxDxH) [mm]		520 x 625 x 693	520 x 755 x 693	520 x 805 x 693
Control on the right / stop on the left / right (WxDxH) [mm]		650 x 625 x 560	650 x 755 x 560	650 x 805 x 560
Weight [kg]		70	80	83
Weight, with packaging [kg]		86	98	100
Capacity				
Number of inserts		5+1 x GN 2/3	4+1 x BN 43	5+1 x GN 1/1
Cavity volume [l]		65	88	96
Insert spacing [mm]		67	84	67

Electrical connection

	Type	6-23	6-43	6-11
Voltage 200 V ... 230 V 1 NAC				
Power requirement [kW]		3.6	-	-
Rated current [A]		15.7	-	-
Fuse protection		1 x 16 A	-	-
Residual-current circuit breaker Tripping current [mA]		Type B 30	-	-
Cable cross section (recommended) [mm ²]		1.5	-	-
Voltage 380 V ... 415 V 3 NAC				
Power requirement [kW]		5.8	7.7	7.7
Rated current [A]		8.4	11.2	11.2
Fuse protection		3 x 10 A	3 x 16 A	3 x 16 A
Residual-current circuit breaker Tripping current [mA]		Type B 30	Type B 30	Type B 30
Cable cross section (recommended) [mm ²]		1.5	1.5	1.5

Heat output, heat emissions

	Type	6-23	6-43	6-11
Heat, latent [MJ/h (kW)]		2.3 (0.6)	3.0 (0.8)	3.0 (0.8)
Heat, sensitive [MJ/h (kW)]		1.6 (0.4)	2.1 (0.6)	2.1 (0.6)
Noise [db (A)]		<70	<70	<70

JOKER with MT module and fresh steam system - 6-23, 6-43, 6-11

Setting up

Safety distance [mm]	rear	min. 50
	right	min. 50
	left	min. 50
Minimum clearance [mm]	to combi steamers, ovens, convection units	min. 50
	to deep fryers, open/hot fat/oil, heat sources, gas appliances	min. 1000

Water/Waste water

Water supply

Water supply/dim [A]	2 x G 3/4"
Flow pressure [bar (kPa)]	2 - 6 (200 - 600)

Waste water connection

Without cleaning	External siphon/connection
With hand shower	External siphon/connection
With autoclean® PRO	Permanent connection
Type	DN40 (min. inside dia.: 36 mm) for permanent connection
Drain line gradient [%]	min. 3

Soft water quality

General requirement: Drinking water

Total hardness

[°dH] ≤ 3

[ppm] 70 - 125

[°TH] 7 - 13

[°e] 5 - 9

pH value 7.0 - 8.5

Cl (chlorine) [mg/l] max. 60

Cl₂ (free chlorine) [mg/l] max. 0.2

SO₄²⁻ (sulphate) [mg/l] max. 150

Fe (iron) [mg/l] max. 0.1

Temperature [°C] max. 50

electrical conductivity [μS/cm] 20 - 90

Water pressure [bar] 4 (2 - 6)

Hard water quality

General requirement: Drinking water

Total hardness

[°dH] ≤ 14

[ppm] ≤ 250

[°TH] ≤ 25

[°e] ≤ 18

Maximum water flow

Soft water

Without cleaning	0.3 l/min
With hand shower	0.3 l/min
With autoclean® PRO	0.3 l/min

JOKER with MT module and fresh steam system - 6-23, 6-43, 6-11

Maximum water flow	
Hard water	
Without cleaning	6.8 l/min
With hand shower (at 4 bar)	4.8 l/min
With autoclean® PRO:	6.8 l/min

Equipment

- 12 operating modes:
 - Steaming
 - Intensive steaming
 - Vario steaming
 - Convection
 - Combi-cooking
 - Low-temperature cooking
 - Delta-T cooking
 - Regenerating
 - Baking with steam injection
 - Holding
 - Proofing
 - Thawing
- 7" capacitive screen
- Inner and outer housing made of rustproof stainless steel
- IPX 5 (resistant to water jets)
- Seamless hygienic cooking chamber
- Adjustable air deflector
- Door with triple glazing and LED lighting
- Quick-action door closure
- Supply air/exhaust air
- Internal core temperature probe with 4 measuring points
- USB interface
- Frequency converter
- Manual cooking / Manual baking:
 - Temperature, adjustable between 30°C - 300°C - to the exact degree
 - Core temperature, adjustable between 20°C - 100°C - to the exact degree
 - Humidity can be exactly adjusted between 0 - 100%
 - Steam injection, adjustable in ml or over time
 - Manual humidification
 - Automatic resting time in accordance with the steam injection quantity
 - Time, adjustable up to 24 hours, including continuous operation
- Steptronic®
- Step overview
- Alphanumeric memory function with image and sound selection
- Favourites marking during the saving process
- Menu group marking during the saving process
- Product group marking during the saving process
- Bar and product code marking during the saving process
- ADC - Active dehumidification in 5 stages
- Fan speed in 5 increments
- Timed fan speeds

Equipment

- Additional Cooking time
- Repeat mode
- Changing settings during operation
- Stop Preheat during operation
- Half occupancy function
- Last® 20
- Programme list with 400 programs with 20 steps each:
 - Program search
 - Displaying and filtering menu groups
 - Displaying and filtering product groups
- Favourites list:
 - Favourites search
 - Displaying and filtering menu groups
 - Displaying and filtering product groups
- Special programs:
 - Low-temperature cooking
 - Delta-T cooking
 - Regenerating
 - Holding
 - Thawing
 - Proofing
- Weekly programming PRO
- Multi Cooking PRO
- Cool Down function: Auto-Temp (default setting for cooking and autoclean® PRO with liquid cleaner)
- Preheat function with temperature specification, adjustable and adaptable
- E/2 Energy saving function
- SPS® - Steam Protection System
- Timer function: Input of start and end time
- Display of actual/target temperature
- Display of the actual core temperature
- Cool-down function active-temp adjustable (default setting for autoclean® PRO with solid detergent)
- Cool Down function: Adjustable Manual-Temp
- Cleaning & Care
 - semi-automatic cleaning
 - Drying phase freely selectable
 - The drying phase can be interrupted during the cleaning operations
- Settings & Service:
 - Language setting in 25 languages
 - Time and date setting
 - Keyboard setting: 6 different versions
 - Data and HACCP logging and display
 - Automated cleaning and maintenance notices
 - Automatic switching between standard time and daylight saving time
 - Password manager
 - Sound manager
 - Image manager
 - Program manager PRO
- Setting and customisation options (Quick Modes/Direct Modes)
- Start-up Settings
 - Standby image and time
 - Version: light or dark
 - Start screen

Additional module

Hand shower module

- Drying can be interrupted in standard equipment

autoclean® PRO module

- Cleaning & Care - fully automatic cleaning
- Available with liquid cleaner and solid detergent

Module Design

- Unit back cover
- Unit storage (only with lateral control)
- Unit colour*
* Minimum order quantity: 10 devices

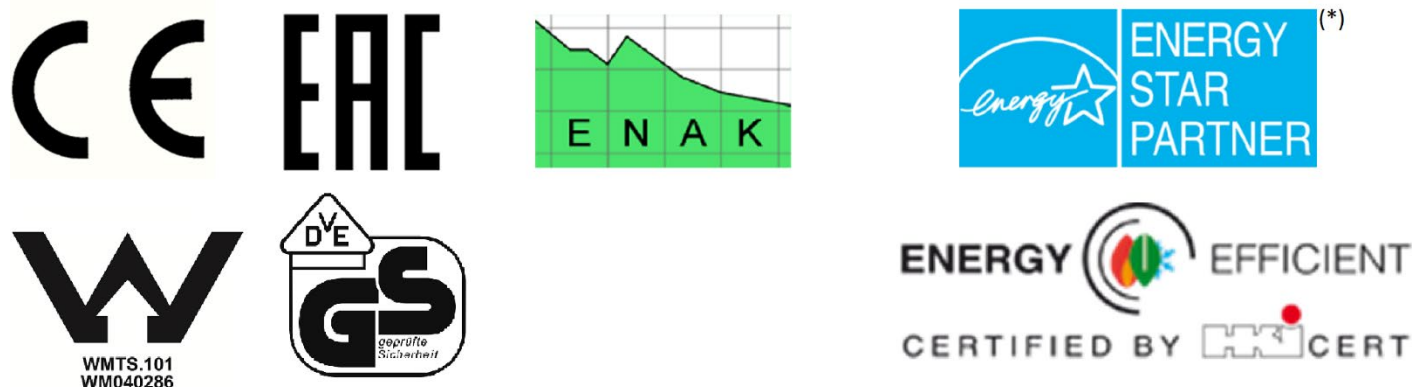
Device options

- | | |
|---------------------------------------------------------------------------------------------------------------------------------------------------------------------------------------------------------------------------------------|-------------------------------------------------------------------------------------------------------------------------------------------------------------------------------------------------------------------------------------|
| <ul style="list-style-type: none"> • Device feet • Safety door latch • Electric door latch for automatic door opening • External core temperature probe • External sous vide probe | <ul style="list-style-type: none"> • LAN • WLAN • Energy optimization connection • Connection of potential-free contact to control third-party appliances (e.g. external extractor hoods) |
|---------------------------------------------------------------------------------------------------------------------------------------------------------------------------------------------------------------------------------------|-------------------------------------------------------------------------------------------------------------------------------------------------------------------------------------------------------------------------------------|

Accessories

- | | |
|--------------------------------------------------------------------------------------------------------------------------------------------------------------------------------------------------|---------------------------------------------------------------------------------------------------------------------------------------|
| <ul style="list-style-type: none"> • Multi-Eco condensation hood • Kombimix kits, base frames and Multi-Eco condensation hoods for Mix stations • Various racks | <ul style="list-style-type: none"> • Base frames • Various trays, grills and containers • ProConnect |
|--------------------------------------------------------------------------------------------------------------------------------------------------------------------------------------------------|---------------------------------------------------------------------------------------------------------------------------------------|

Approvals/test markings



* EnergyStar energy efficiency test only for JOKER 6-11

JOKER with MT control and fresh steam system - 6-23, 6-43, 6-11

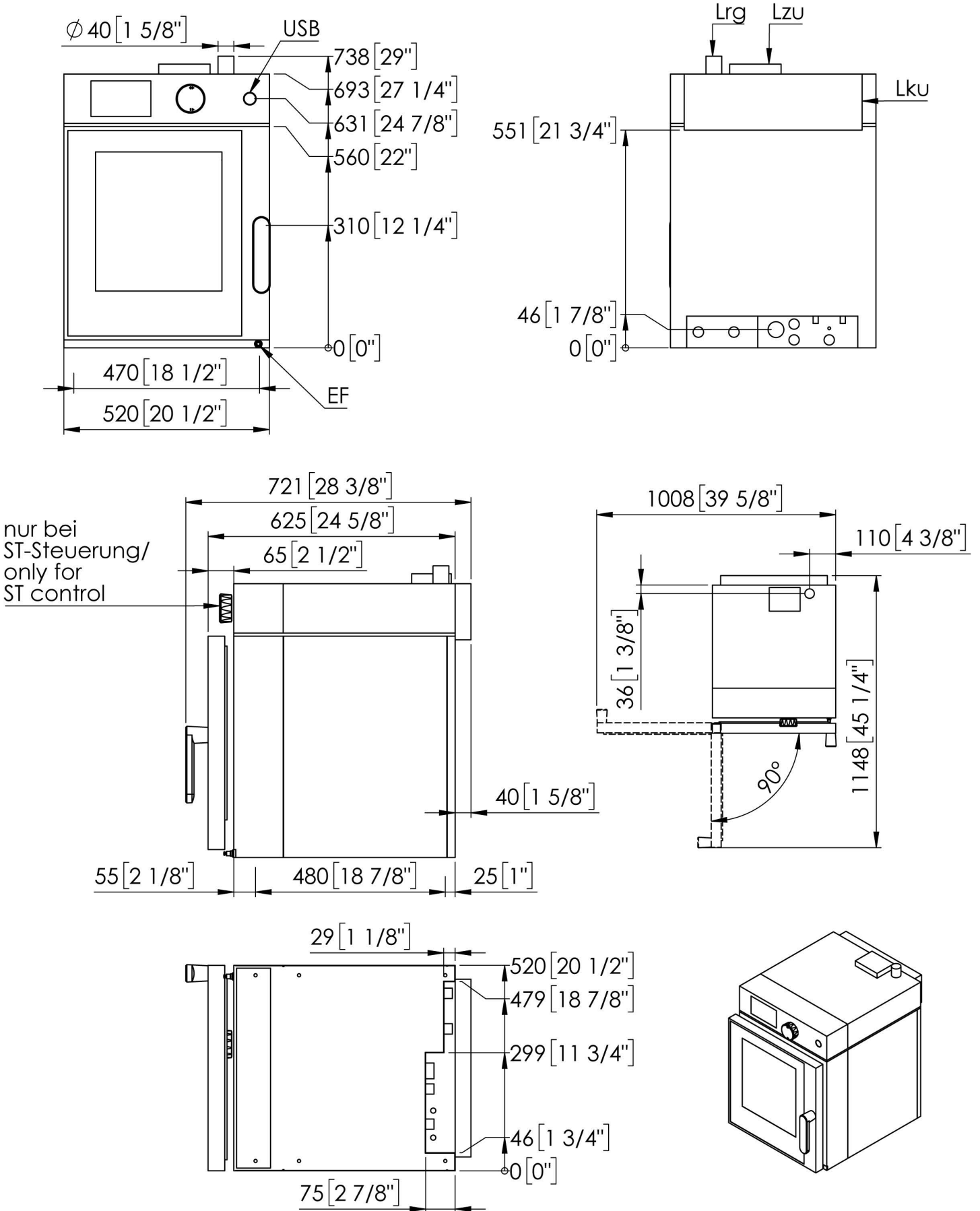
Dimensional drawings (all dimensions in mm [inches])

Key for dimensional drawings

Designation	Meaning
A	Waste water connection (DN40)
Lzu	Supply air opening
Lrg	Exhaust air pipe
Lku	Air intake duct for device cooling
EF	External sensor
USB	USB port

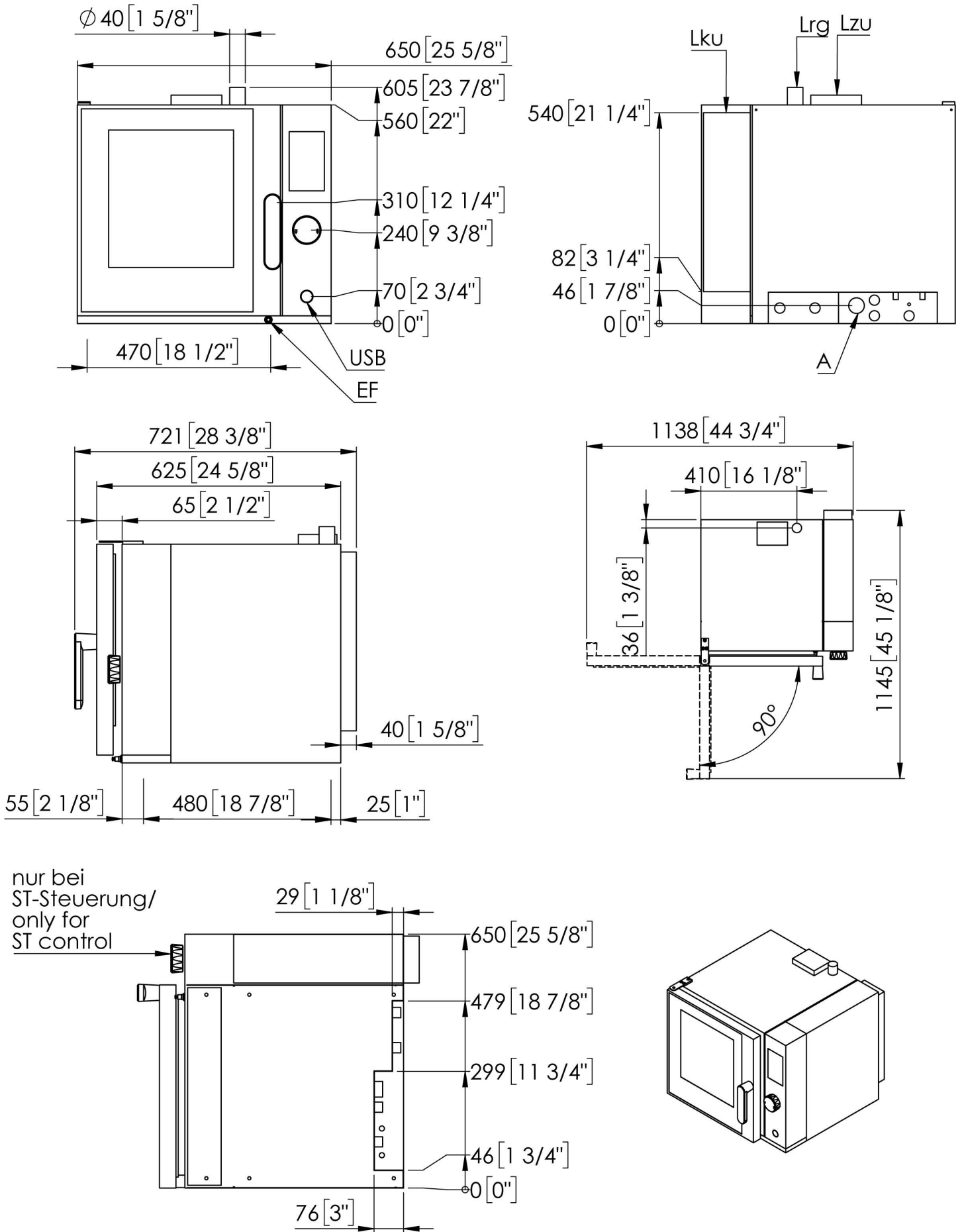
JOKER with MT module and fresh steam system - 6-23, 6-43, 6-11

Dimensioned drawing 6-23, door stop on the left, control on top



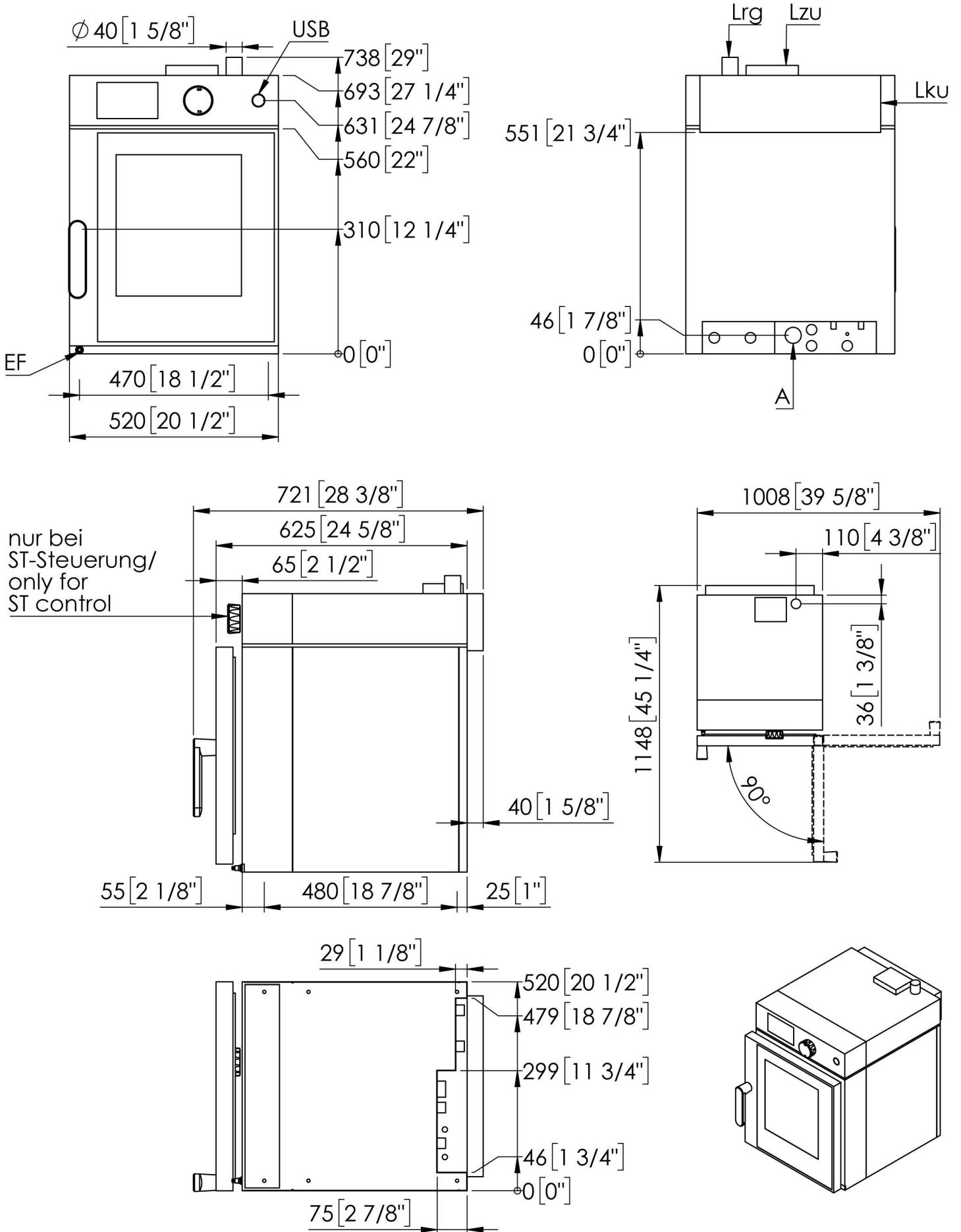
JOKER with MT module and fresh steam system - 6-23, 6-43, 6-11

Dimensioned drawing 6-23, door stop on the left, control on the right



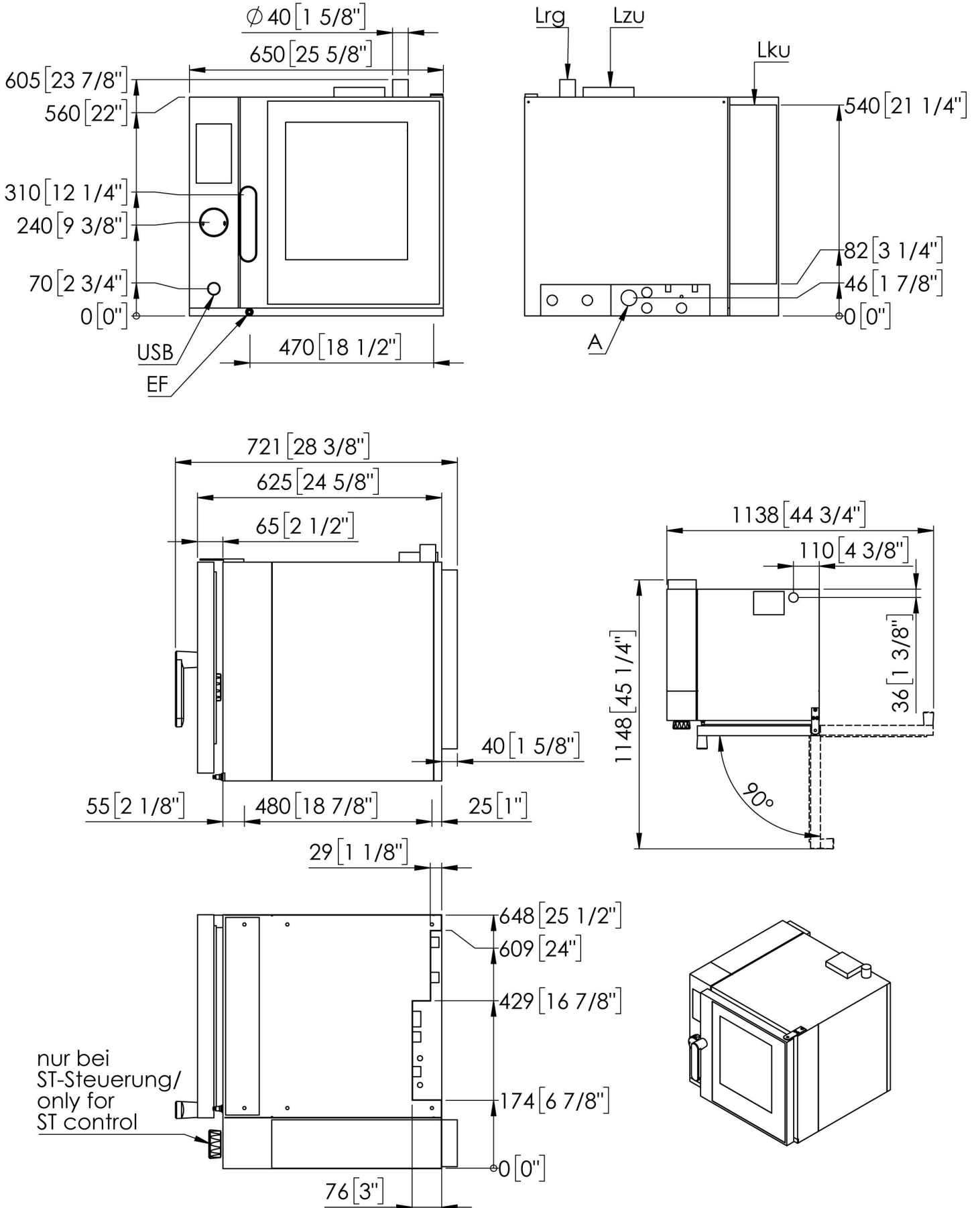
JOKER with MT module and fresh steam system - 6-23, 6-43, 6-11

Dimensioned drawing 6-23, door stop on the right, control on top



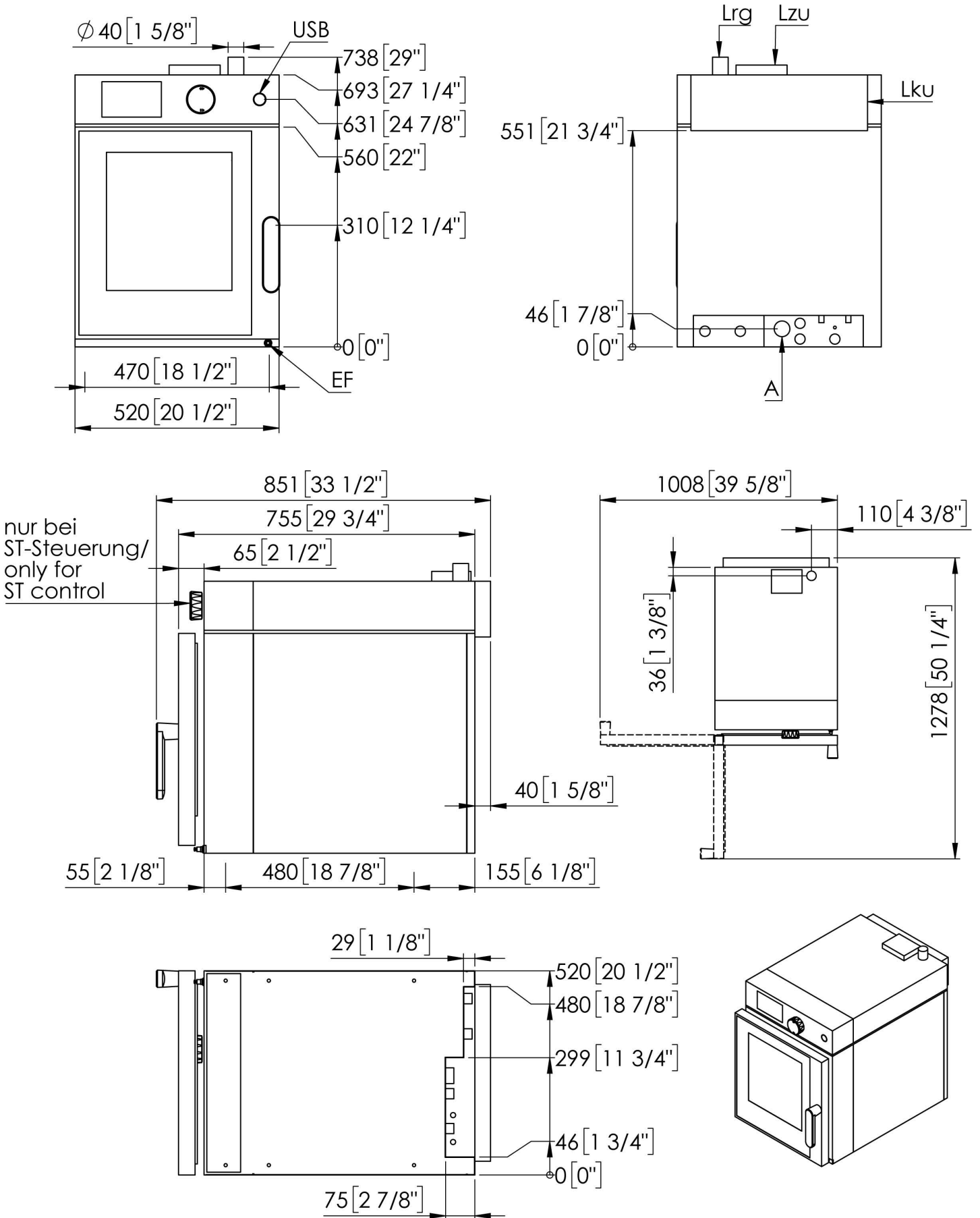
JOKER with MT module and fresh steam system - 6-23, 6-43, 6-11

Dimensioned drawing 6-23, door stop on the right, control on the left



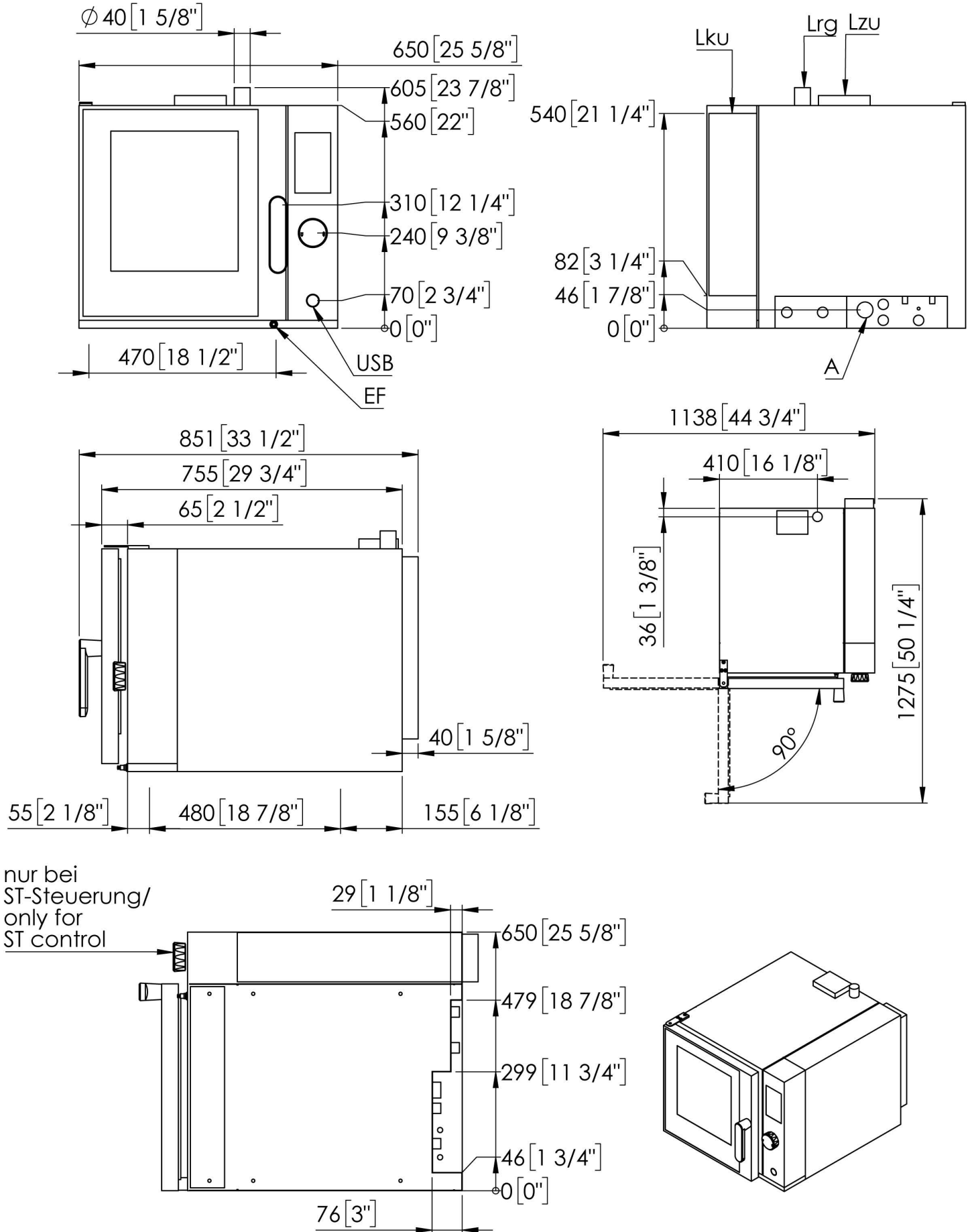
JOKER with MT module and fresh steam system - 6-23, 6-43, 6-11

Dimensioned drawing 6-43, door stop on the left, control on top



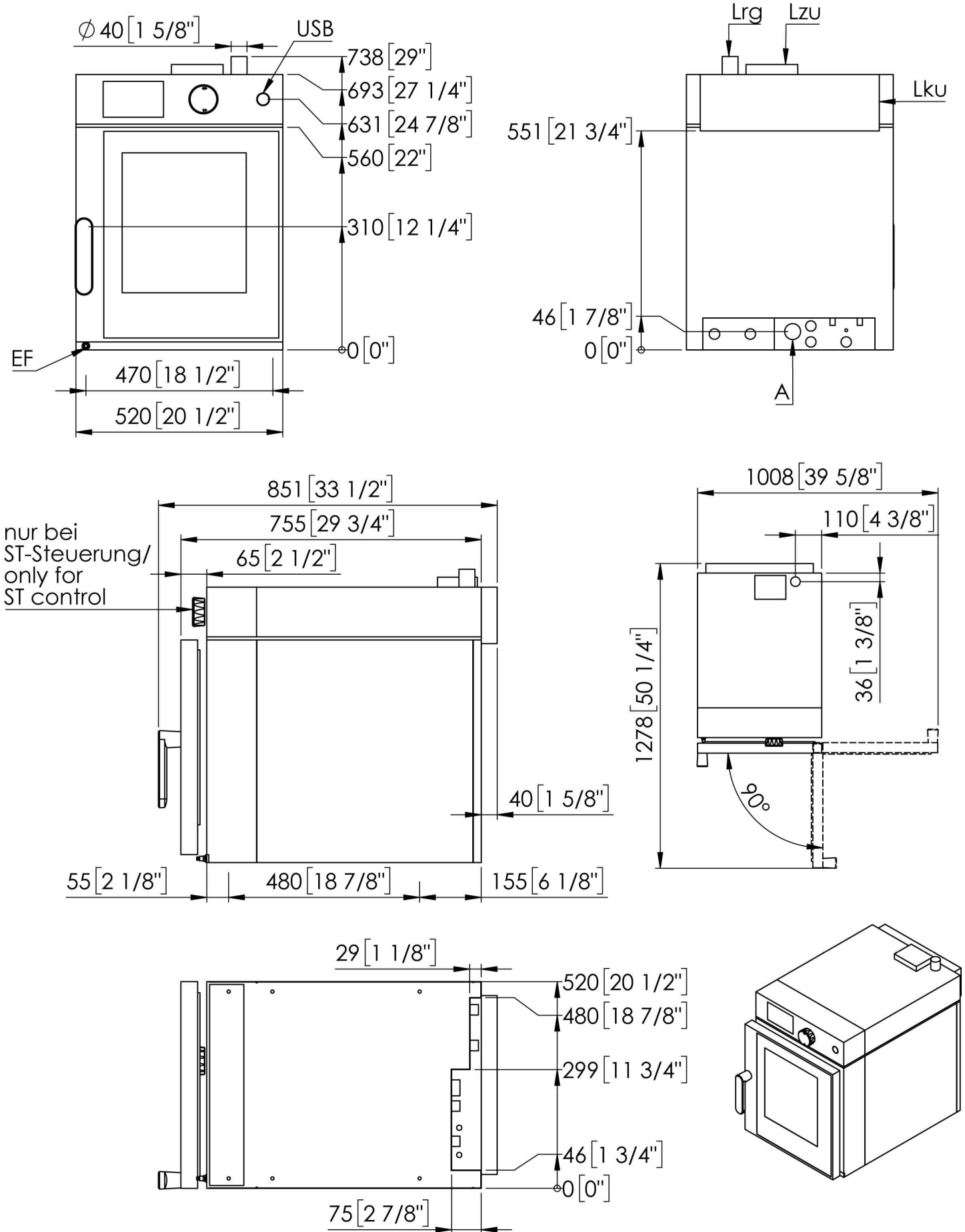
JOKER with MT module and fresh steam system - 6-23, 6-43, 6-11

Dimensioned drawing 6-43, door stop on the left, control on the right



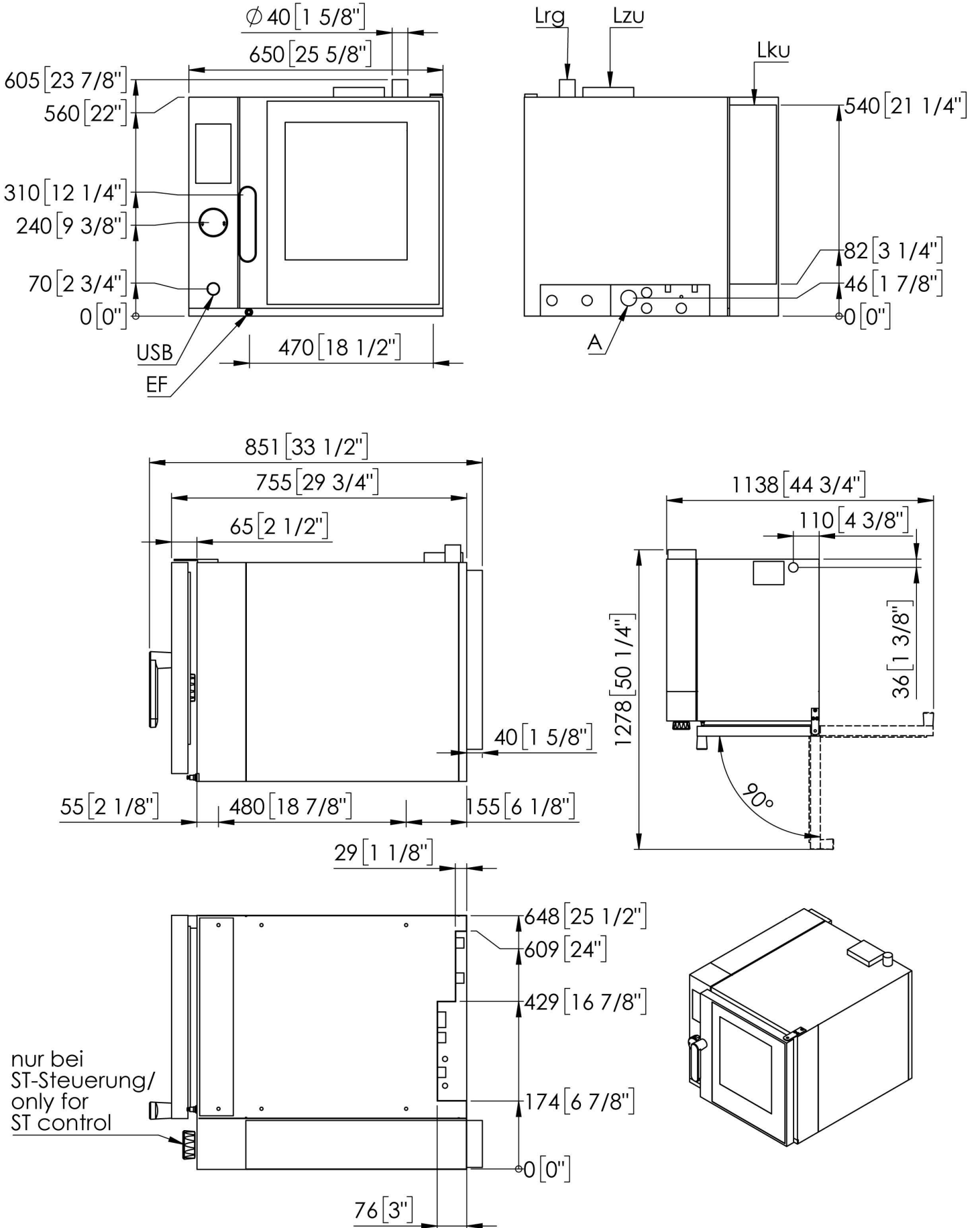
JOKER with MT module and fresh steam system - 6-23, 6-43, 6-11

Dimensioned drawing 6-43, door stop on the right, control on top



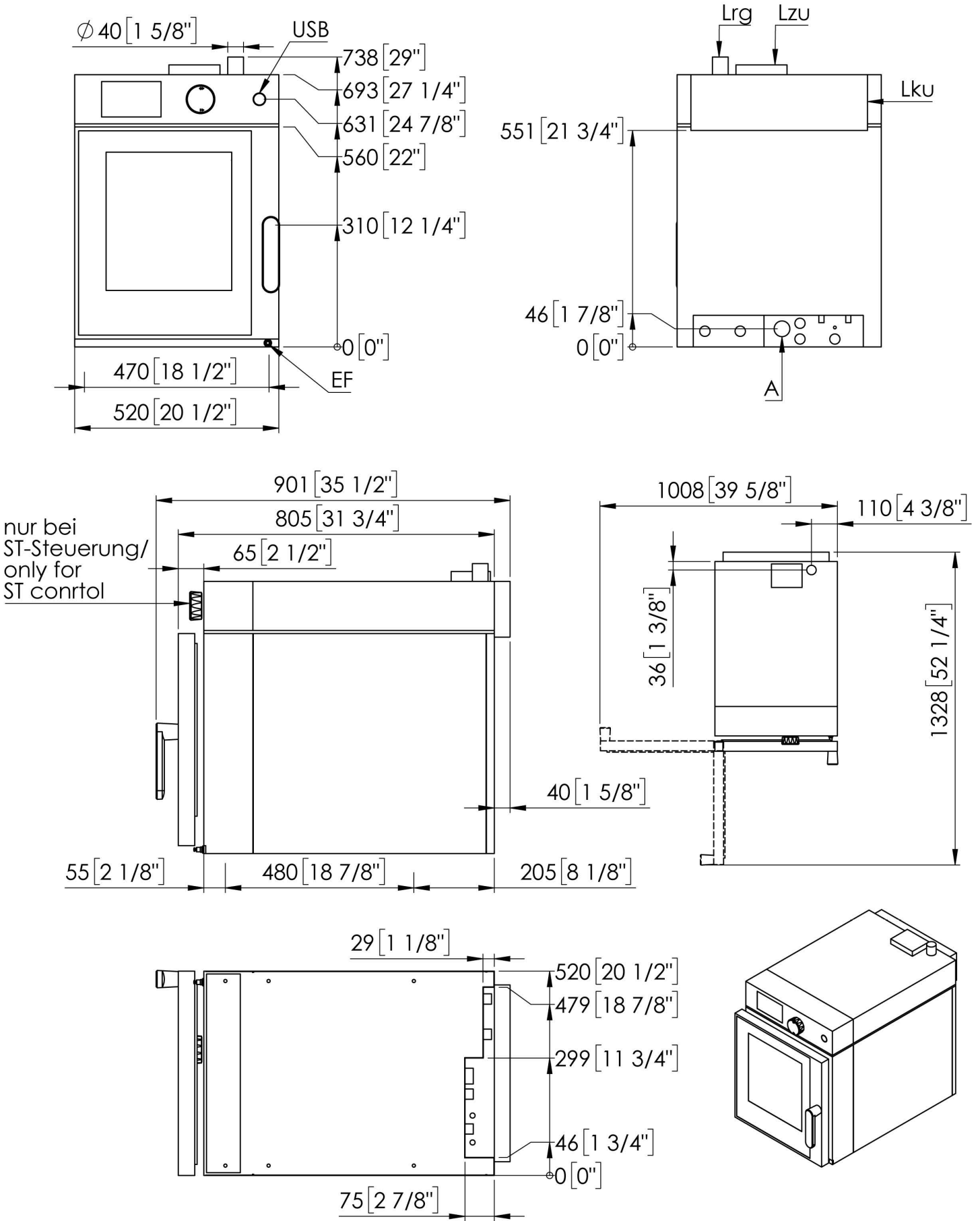
JOKER with MT module and fresh steam system - 6-23, 6-43, 6-11

Dimensioned drawing 6-43, door stop on the right, control on the left



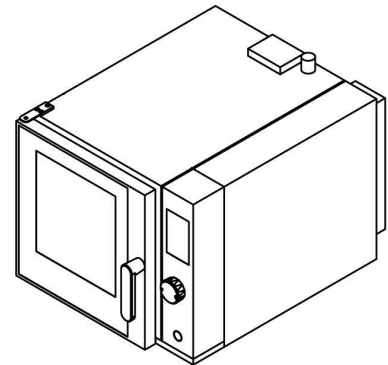
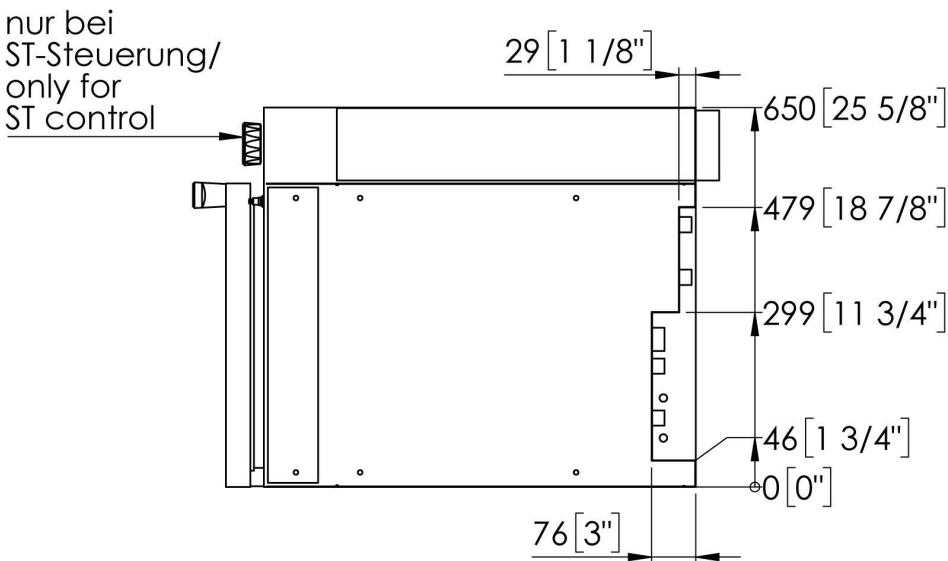
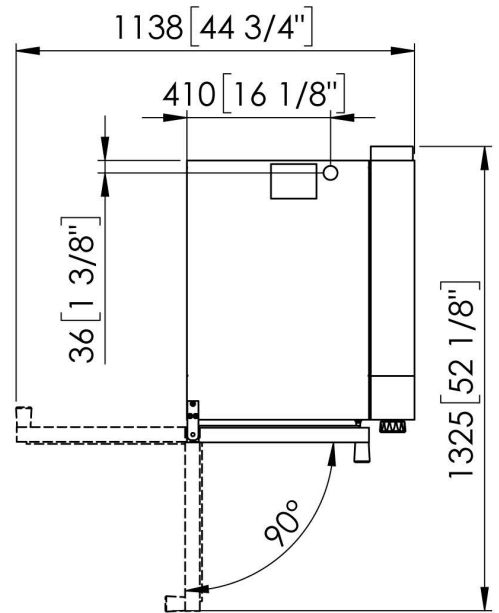
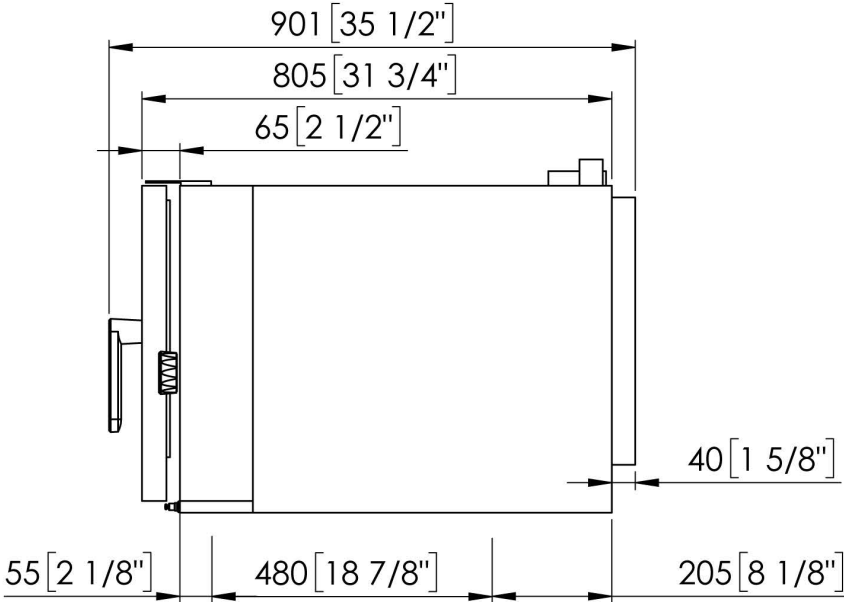
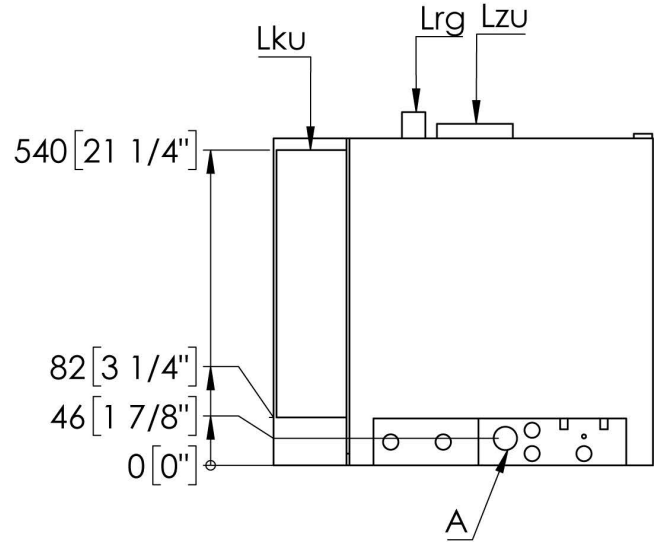
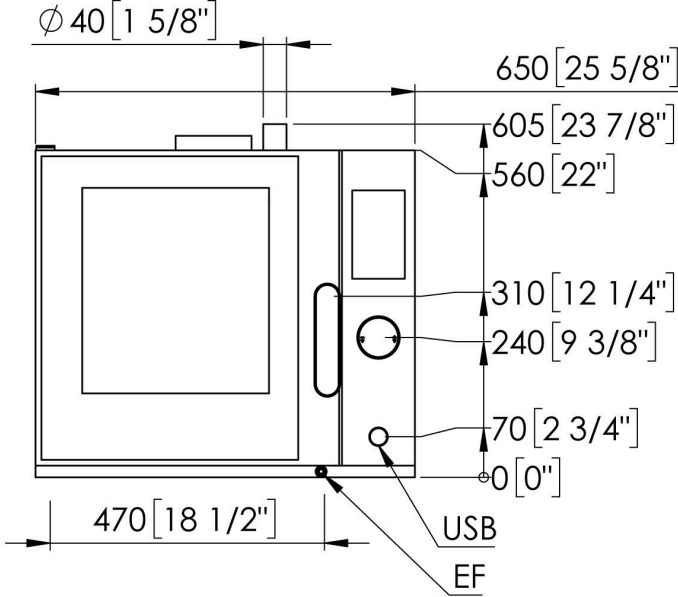
JOKER with MT module and fresh steam system - 6-23, 6-43, 6-11

Dimensioned drawing 6-11, door stop on the left, control on top



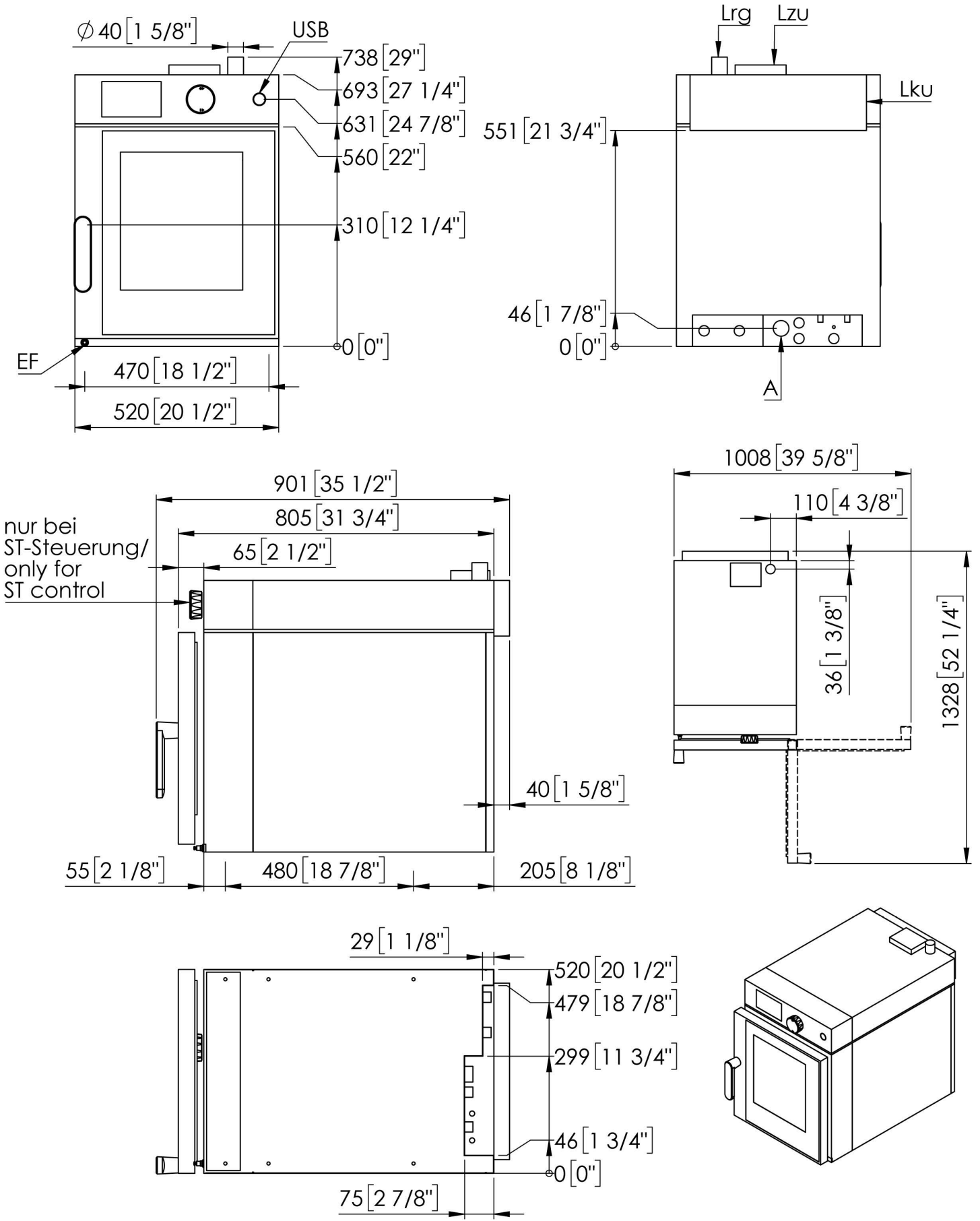
JOKER with MT module and fresh steam system - 6-23, 6-43, 6-11

Dimensioned drawing 6-11, door stop on the left, control on the right



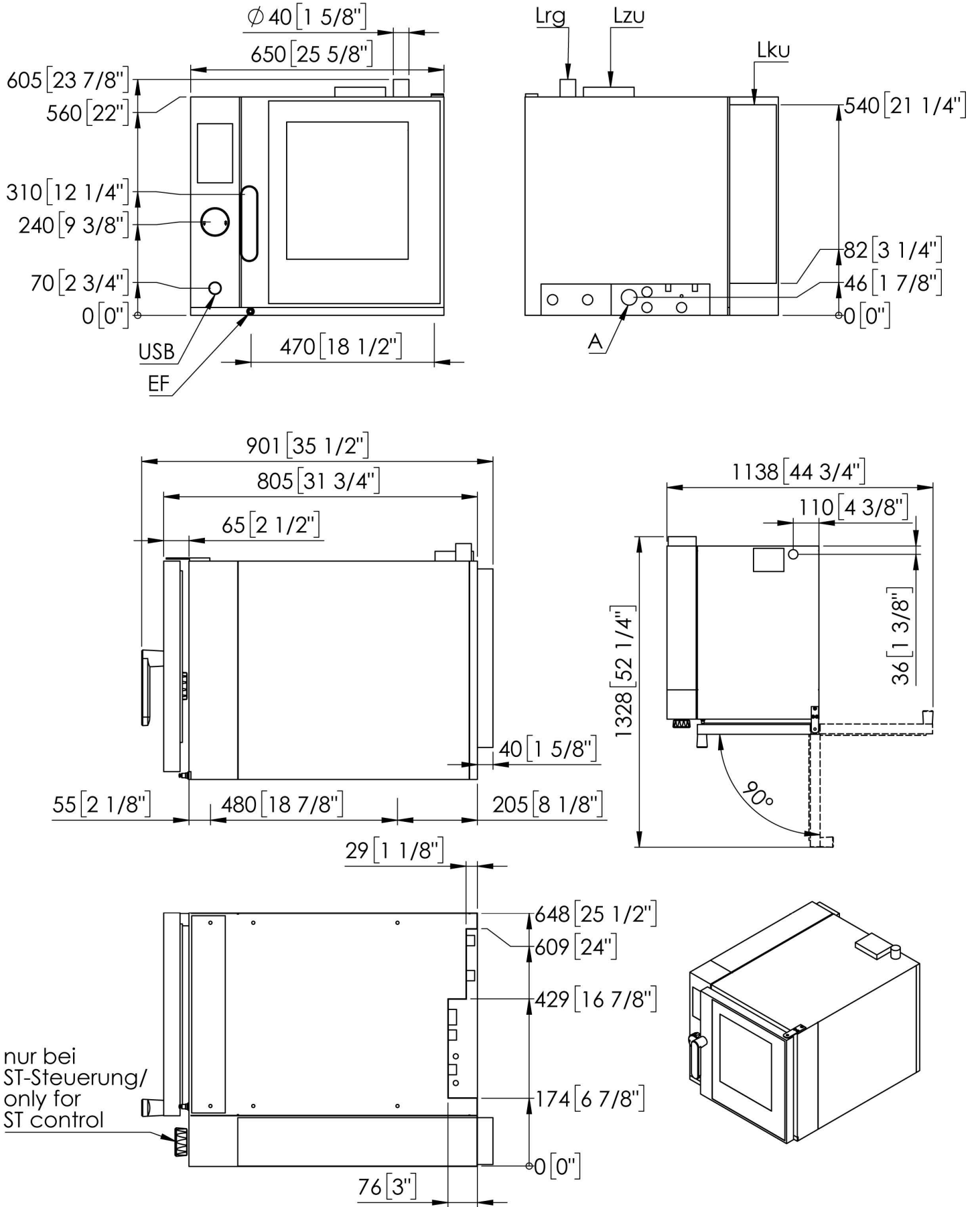
JOKER with MT module and fresh steam system - 6-23, 6-43, 6-11

Dimensioned drawing 6-11, door stop on the right, control on top



JOKER with MT module and fresh steam system - 6-23, 6-43, 6-11

Dimensioned drawing 6-11, door stop on the right, control on the left



JOKER with MT module and fresh steam system - 6-23, 6-43, 6-11

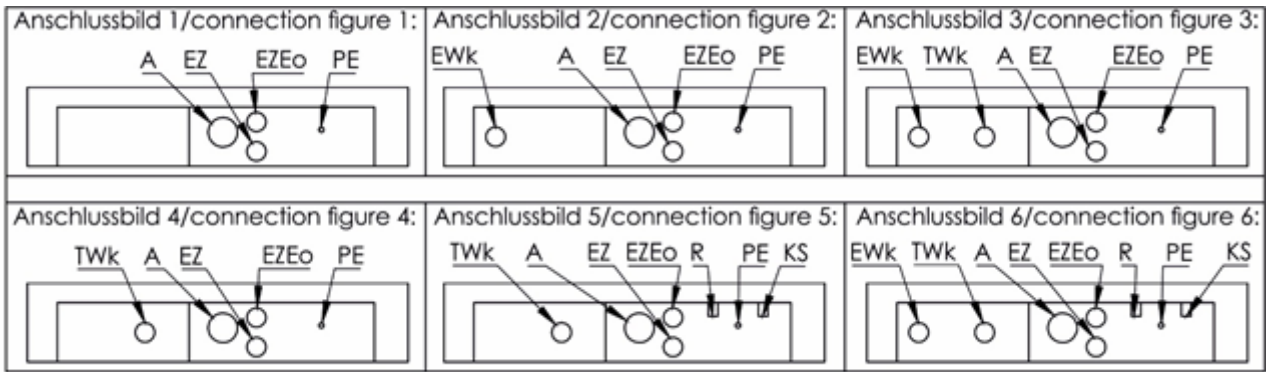
Variants depending on the equipment Water module and Cleaning module (X yes,- no)

Variants depending on the equipment Water module and Cleaning module (X yes, - no)

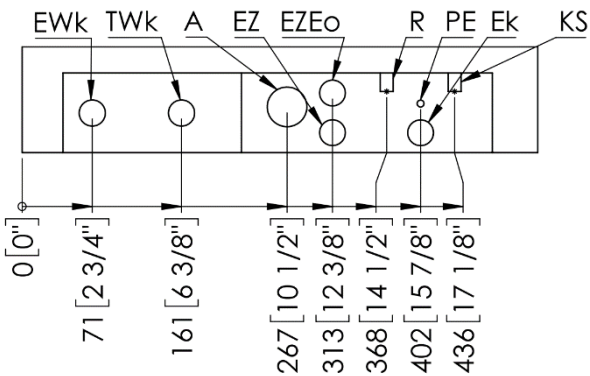
Fresh steam system	Steam Injection	Hand shower hose spray nozzle	autoclean® PRO	connection figure
-	-	-	-	1
-	X	-	-	2
X	-	-	-	3
X	-	X	-	4
-	X	X	-	5
-	-	X	-	6
-	-	X	X	7
-	-	-	X	8
X	-	-	X	9
X	-	X	X	10
-	X	-	X	11
-	X	X	X	12

Key for connection figures

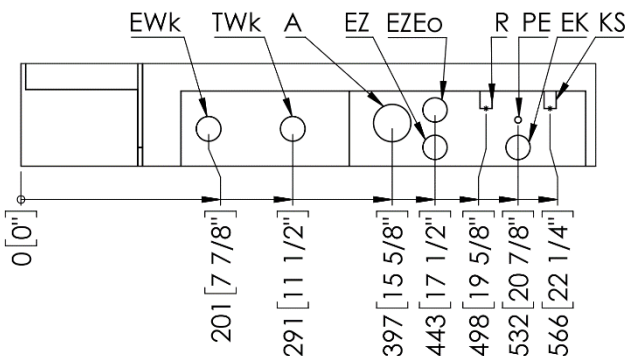
Designation	Meaning
A	Waste water connection (DN40) Connection for waste water line (Dn 1 5/8")
EWk	Anschluss Weichwasser / Connection for soft water
EF	externer Fühler / external sensor
EZ	Stromversorgung / Power supply
EZEo	Optimierungsanlage / Power optimization
PE	Equipotential bonding connection Connection for potential equalization
TWk	Hard water connection Connection for hard water
R	Anschluss für Reiniger / Connection for cleaner
KS	Anschluss für Klarspüler / Connection for rinse



Bedienung oben und rechts / Control top and right



Bedienung links / Control left



WE AT ELOMA WILL BE HAPPY TO HELP YOU WITH ANY QUESTION RELATING TO OUR
PRODUCTS

CUSTOMER SERVICE

T. +49 8141 395-188
F. +49 8141 395-164
sales@eloma.com

APPLICATION ADVICE

T. +49 8141 395-150
applications@eloma.com

TECHNICAL SERVICE

T. +49 35023 63-888
F. +49 8141 359-156
service@eloma.com



Eloma GmbH • Otto-Hahn-Str. 10 • 82216 Maisach/Germany
T. +49 8141 395-0 • F. +49 8141 395-130 • sales@eloma.com
eloma.com

an Ali Group Company



The Spirit of Excellence